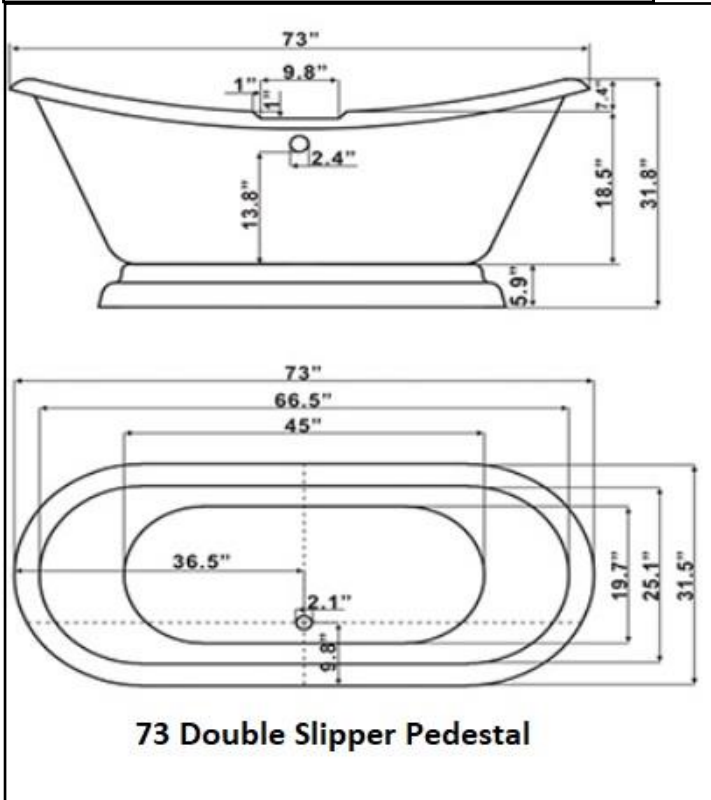
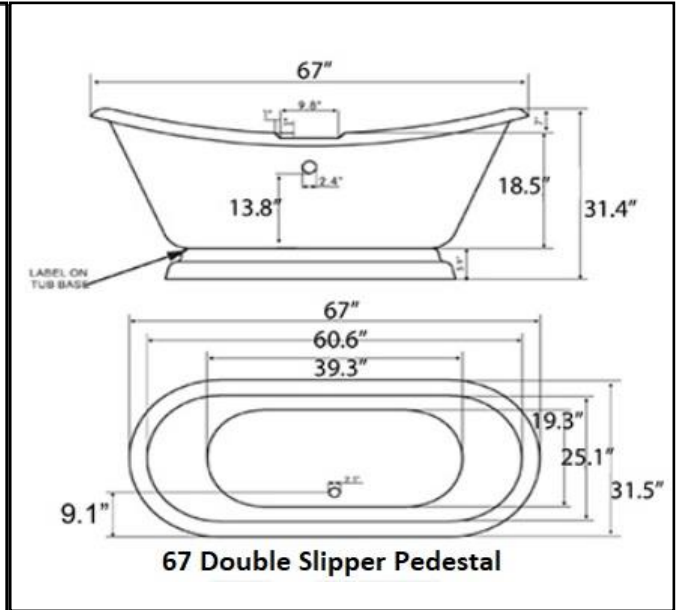
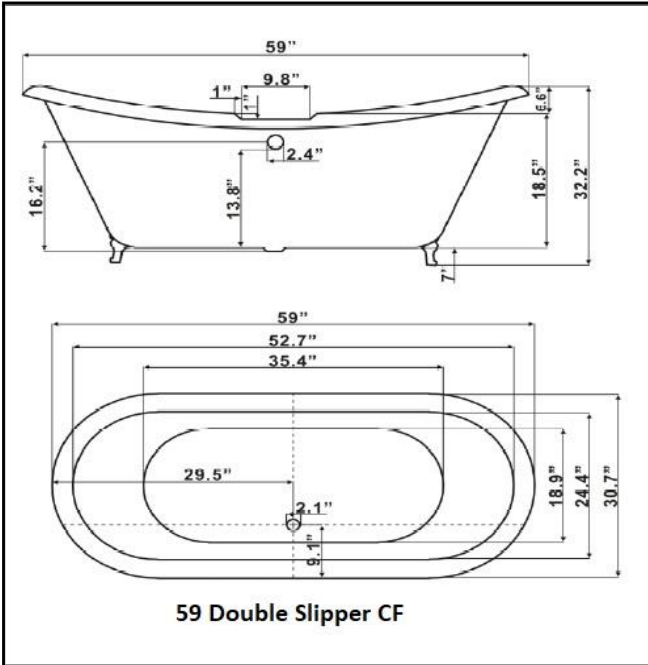


QUALITY
ICS
BATHS

Acrylic / Soild Surface / Acrylic Construction



Specs same for Claw Feet or Pedestal

Model	Width & Height
59" Double Slipper 138 Lbs.	31" x 32" High 56 Gal to Overflow
67" Double Slipper 151 Lbs.	31.5" x 31.5" high 65 Gal to Overflow
73" double Slipper 161 Lbs.	31.5" x 31.8" high 73 Gal to Overflow



T Type



Victorian

www.ICSqualitybaths.com